



PTS-300 Trailer System

Seamless communication requires proper communication from the rural areas, unmanned areas or harsh environment as well, where the other conventional telecom solutions are not available. On the other hand, it is very common that in real-world emergency situations like natural disasters (earthquake, flood, avalanche etc.) the available telecom infrastructure, in most cases, can be damaged or destroyed. In these cases, an independent and easy of deploy communication solution would be the vital.

Profen's trailer-based communication solution has developed to meet this requirement. It provides ease of transportation, fast deployment, quick operation and service and industrial-grade resilience and durability.

Typical Applications

- GSM/LTE base station with satellite backhaul,
- UAV Ground Communication System,
- WiFi base station with satellite backhaul,
- Tactical satellite communication system,

Key Features

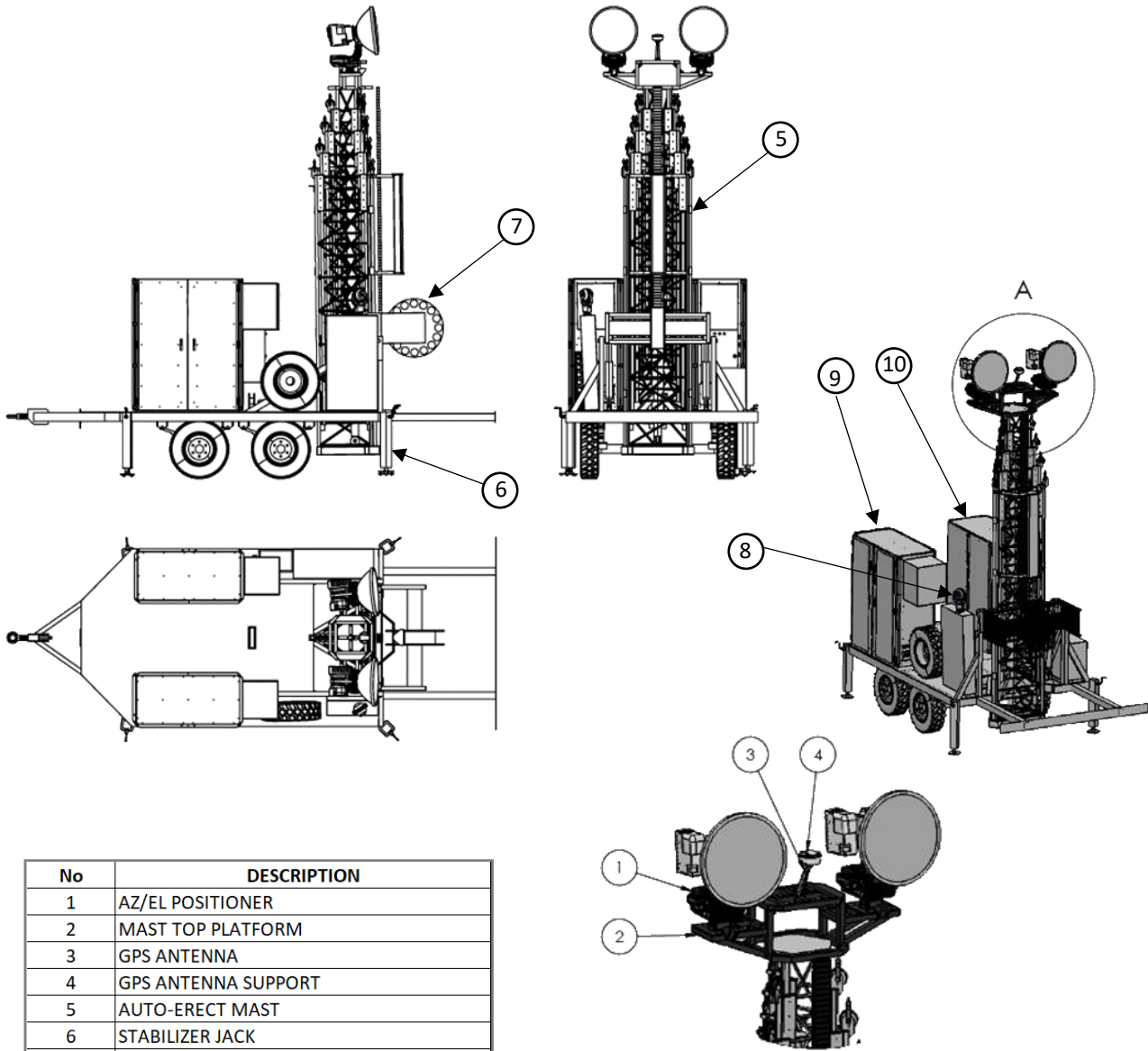
- From 1m to 3.8m auto-pointing satellite antenna system (Option),
- From 3m to 15m auto-erect mast for R/L operation (Option),
- Automatic leveling jacks activate at the push of a button, establishing a sturdy, level base for a solid satellite and R/L connection.
- On-board, auto-start quiet generator, inverter and UPS system to allow seamless operation,
- Environmentally controlled 19" equipment racks, with spare space for additional equipment installations.
- Storage cabins with easy access from either side.
- Easy access doors not only controls but also easy maintenance to onboard electronics.
- All-steel frame with proper tires (in some models) and properly designed footprint make it ideal to use it in any environment condition,
- ISO type design and manifold options on land, air and sea transportation

PTS-300 Trailer System

Profen's Trailer based stations is part of its comprehensive suite of homeland security and mobile communication solutions. It is a portable that can be quickly deployed and immediately function in the field.

Together with Profen's integrated hardware and software solutions the unit make it possible seamless operation from the field.

A Sample Project



No	DESCRIPTION
1	AZ/EL POSITIONER
2	MAST TOP PLATFORM
3	GPS ANTENNA
4	GPS ANTENNA SUPPORT
5	AUTO-ERECT MAST
6	STABILIZER JACK
7	CABLE REEL
8	SECURITY CAMERA
9	GENERATOR & UPS
10	EQUIPMENT RACK

DETAIL A
SCALE 1 : 25