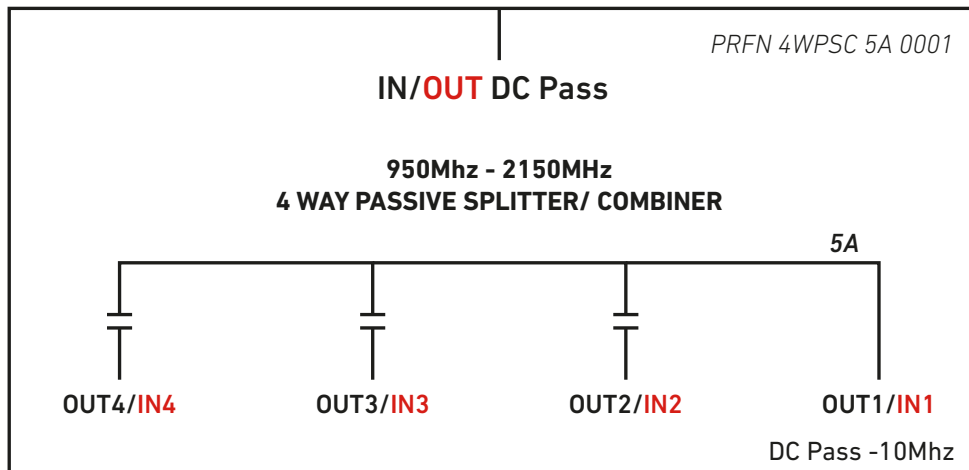
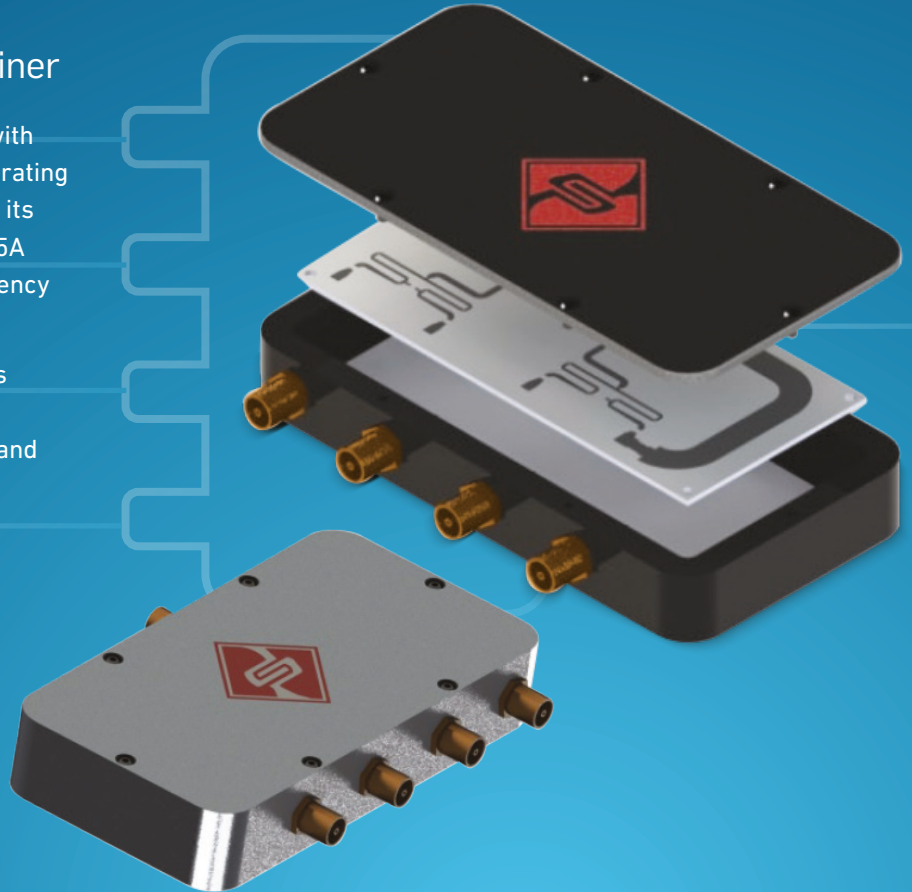


PPSC-L41R1

L-Band Passive Splitter/Combiner

Profen model PPS-L41 is a unique design with passive 4-way power divider combiner, operating in L-Band frequency (950-2150MHz). One of its outputs has DC-Pass feature which allows 5A current pass. It has 10MHz reference frequency permeability.

It is designed for multi-purpose use such as telecoms infrastructure, satellite systems, microwave links, military communications and radar sub-systems.



PPSC-L41R1

L-Band Passive Splitter/Combiner

ELECTRICAL & RF SPECIFICATIONS

Frequency Range

950 MHz - 2150 MHz

Insertion Loss (Max.)

0.7 dB

Isolation Between Ports (Ave.)

26 dB

Input/Output Impedance

75 Ω

Amplitude Balance (Max.)

0.3 dB

Input VSWR (Max.)

1.25:1

DC Current (Max.)

5 A

Output VSWR (Max.)

1.20:1

ELECTRICAL & RF SPECIFICATIONS

Dimensions

154 mm x 80 mm x 26 mm

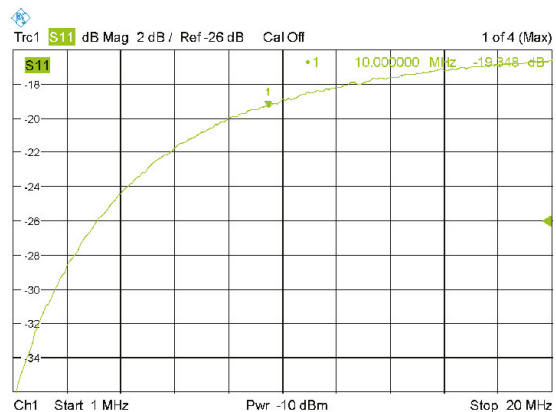
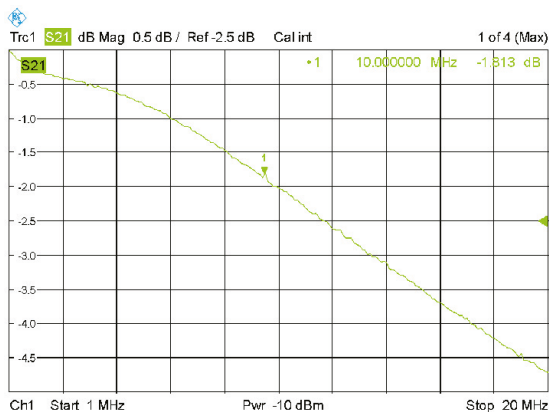
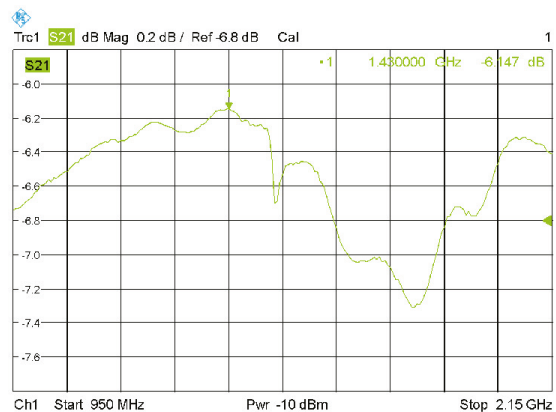
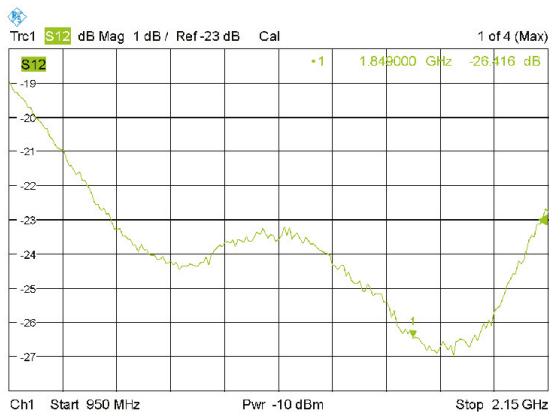
Weight

440 gr.

Connector Type

F-Female

TEST RESULTS



Insertion Loss & Reflection Loss Measurements at 10 MHz



DARULACEZE CAD. HALIT ZIYA TURKKAN
SOKAK FAMAS PLAZA A-BLOK KAT: 10
OKMEYDANI 34384 SISLI ISTANBUL TURKEY

TEL +90 (212) 210 27 70
FAX +90 (212) 210 27 73
WWW.PROFEN.COM