

FEATURES

- Multiple video resolution including 2160p, 2160i, 1080p, 1080i, 720p, 720i, and 480p, 480i
- Multiple SD/HD-SDI inputs
- Internal Time Base Correction (TBC)
- Supports 10-bit, 8-bit, 4:2:2 & 4:2:0, HDR10, HLG
- MPEG-1 Layer II & AAC-LC audio encoding
- Supports GbE TS-over-IP SPTS and MPTS
- Built-in re-multiplexer
- Supports VBR and CBR encoding modes
- Remote Control, Management and Supervision using SNMP and HTTP GUI

ENC6000

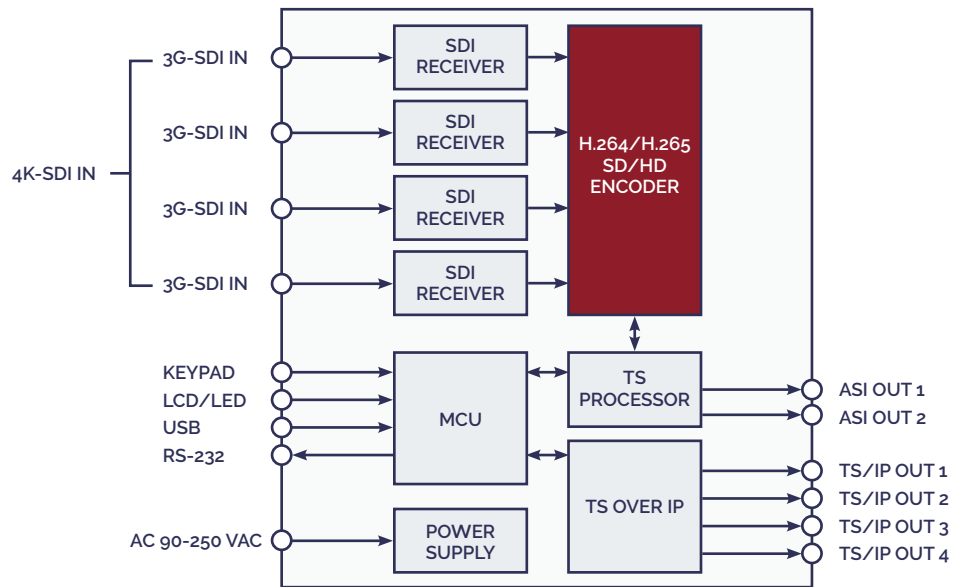
Professional AVC (H.264) / HEVC (H.265) SD/HD/4K Encoder

The **ENC6000** is a high-quality multiple program high definition AVC (H.264) / HEVC (H.265) encoder. The **ENC6000** has four HD-SDI input ports and as such can receive and encode SD/HD/FHD or 4K TV into a Transport Stream (TS) with H.264 or H.265 compression. The internal built-in Time Base Correction functional block ensures the stability of encoding process.

The output can be multiple SPTS or MPTS over IP, as well as over ASI. The **ENC6000** is an ideal solution to meet the needs of H.265 (HEVC) migration.

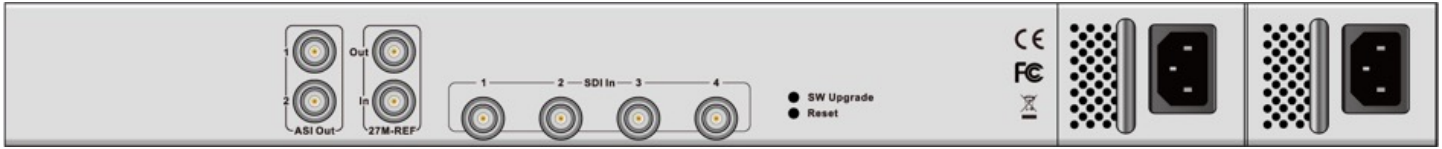


Front Panel View



Block Diagram

TECHNICAL



Rear Panel View

VIDEO COMPRESSION	
Video Format	2160p3840x2160 1080p1920x1080 1080i (1920/1440x1080) 720p (1280x720) 480i (720x480) 576i (720x576)
Video Format Rate	60, 59.94, 50, 30, 29.97, 25, 24, 23.97
Compression Standard	H.265 (HEVC), H.264 (AVC), High Profile Level 4.0
Aspect Ratio	4:3 / 16:9 selectable
Chrominance Sampling	4:2:0 8-bits 4:2:0 10-bits 4:2:2 8bits 4:2:2 10bits
Video Encoding Bit Rate	200 kb/s – 80 Mb/s
Recommend Video Encoding Bit Rate H.265	3840x2160p, 60p/59.94p/50p, 12 – 32 Mb/s 1920x1080p, 59.94/50 fps: 2 – 8 Mb/s 1920x1080i, 25/29.97 fps: 1 – 6 Mb/s 1440x1080i, 25/29.97 fps: 1 – 6 Mb/s 1280x720p, 50/59.94 fps: 1 – 6 Mb/s 720x480i, 29.97 fps: 500 kb/s – 4 Mb/s 720x576i, 25 fps: 500 kb/s – 4 Mb/s
Recommend Video Encoding Bit Rate H.264	3840x2160p, 60p/59.94p/50p: 30 – 70 Mb/s 1920x1080p, 59.94/50 fps: 6 – 20 Mb/s 1920x1080i, 25/29.97 fps: 6 – 20 Mb/s 1440x1080i, 25/29.97 fps: 5 – 20 Mb/s 1280x720p, 50/59.94 fps: 4 – 10 Mb/s 720x480i, 29.97 fps: 2 – 10 Mb/s 720x576i, 25 fps: 2 – 10 Mb/s
AUDIO COMPRESSION	
Compression standard	MPEG-1 Layer II, MPEG-4 AAC-LC
Audio Input	Embedded Audio (from SDI)
Audio Channels	Stereo, Mono
Audio Sampling Rate	48 kHz
Audio compression Bit Rate	64 – 384 kb/s
AUDIO/VIDEO INPUT INTERFACE	
3G-SDI	4xBNC Female, 75Ω

TS PROCESSING	
TS Output Management	Remux and demux
Service and PID management	Filtering and remapping
TS Input Management	Remux and demux between SPTS encoded
PSI/SI	PSI/SI table regeneration, NIT and SDT edition
TS OVER IP	
Connector Type	4xRJ-45, 10/100/1000 Base-T
Maximum bit rate	800 Mb/s
Protocol	UDP, RTP/UDP, Multicast, Unicast, HLS, RTMP IGMPv2, ARP
Source	Built-in Re-mux, ASI input, Encoder
ASI OUTPUT	
Connector Type	2xBNC Female, 75Ω
Output bit rate	≤ 99 Mb/s
Packet Length	188 Bytes
Signal Level	800 mVpp ±10%
CONTROL & MONITORING	
Connector Type	1xRJ-45, 10/1000 Base-T
Remote Control	SNMP, HTTP Web
Local Control	LCD display and 6-key keypad
Software Upgrade	Web
PHYSICAL	
Dimension	1 RU 44mmx483mmx318mm
Net weight	5 kg
Power supply	90 – 250 VAC, 50Hz/60Hz
Power Consumption	20 W
Operating Temperature	0 – 45 °C
Storage Temperature	-10 – 60 °C
Humidity	10 – 90%, non-condensed