



CryptoGuard
 – Protect your content –

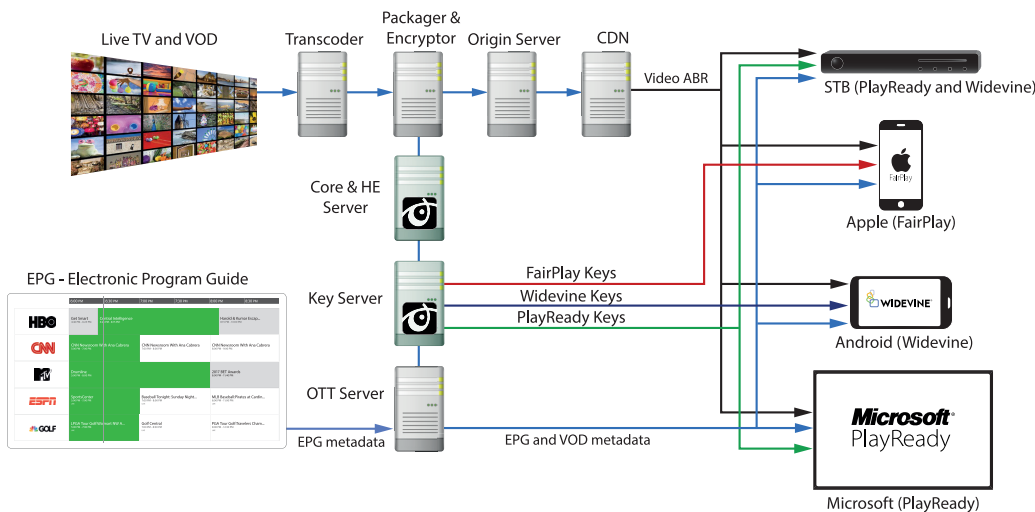
Multi-DRM

CryptoGuards Multi-DRM solution for any size OTT operator

The CryptoGuard Multi-DRM Solution offers any size OTT operator to cost-effectively manage content rights towards users and devices from the CryptoGuard head end. The settings of OTT functions such as start over, catch-up, limiting the number of simultaneous devices etc. are easily managed together with the broadcasted live

TV streams. The solution supports DRM formats including Google Widevine, Apple FairPlay and Microsoft PlayReady enabling a highly secure content delivery. These DRM formats are natively supported by the browser, mobile device or set top box and are approved by major studios.

CryptoGuards Multi-DRM and OTT solution schematic overview



Core & HE Server:
 Handles customers, channel packages and configurations

Key Server:
 Verifies the client requests and delivers the key to the user device for decryption of the content



CryptoGuard
– Protect your content –

Compatible players:



BITMOVIN



SHAKA PLAYER



EXOPLAYER



JW PLAYER



NEX PLAYER



THEO PLAYER

Browsers:



Chrome



Firefox



Internet Explorer



Microsoft Edge



Opera



Safari

Devices:



Google Chromecast

androidtv



Features:

- ◆ Supports Microsoft PlayReady, Apple FairPlay and Google Widevine
- ◆ Supports Smooth streaming, DASH, MPEG4 and HLS profiles
- ◆ Supports on the fly encryption
- ◆ Most subtitle formats supported
- ◆ Supports online and offline viewing
- ◆ Multi audio support
- ◆ Supports VMF, H264 and H265/HEVC
- ◆ Supports WMA, WAV, AAC, AAC-LC, HE-AAC v1&2 and Dolby AC3 / AC3+